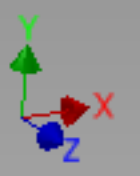
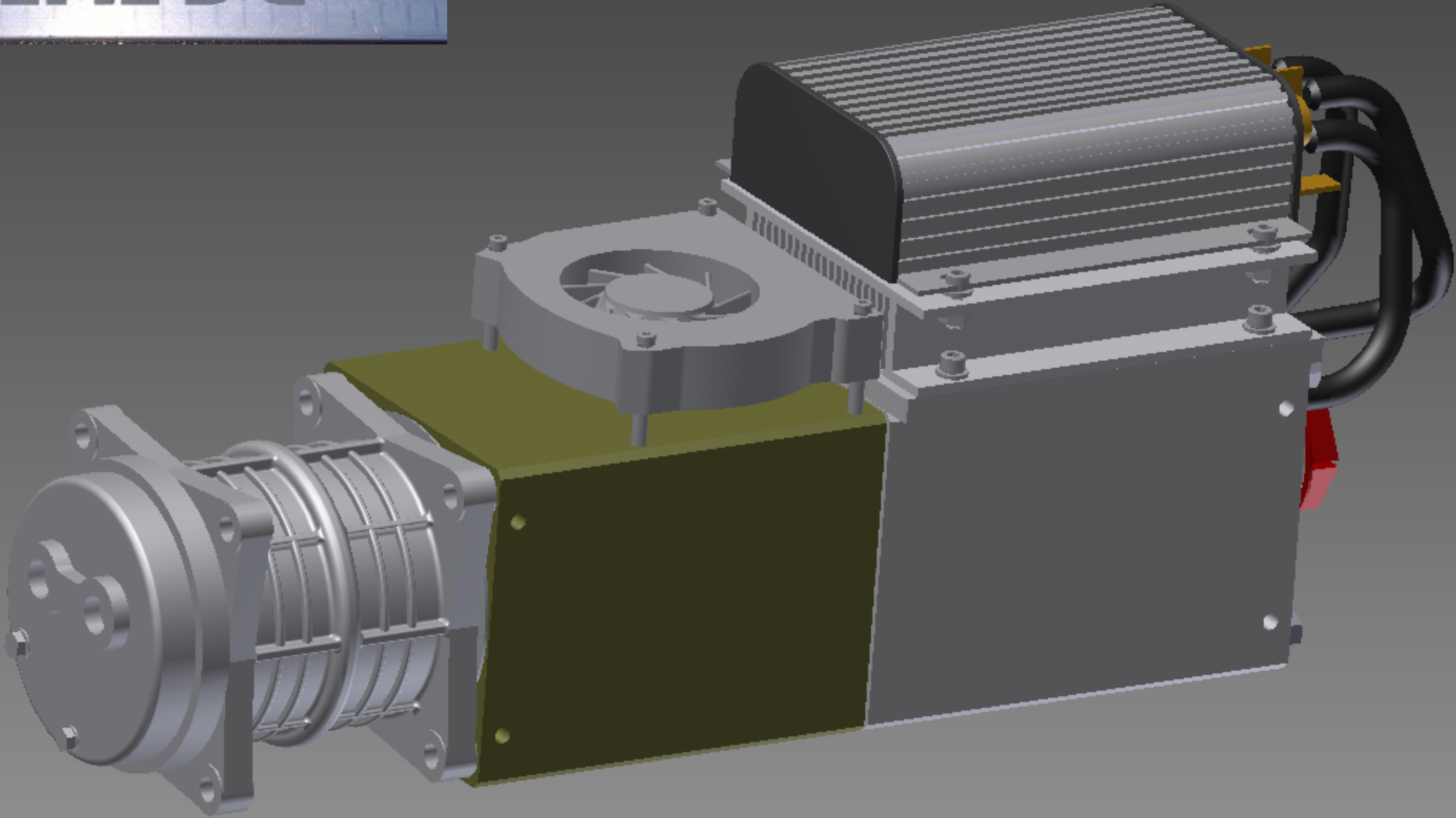
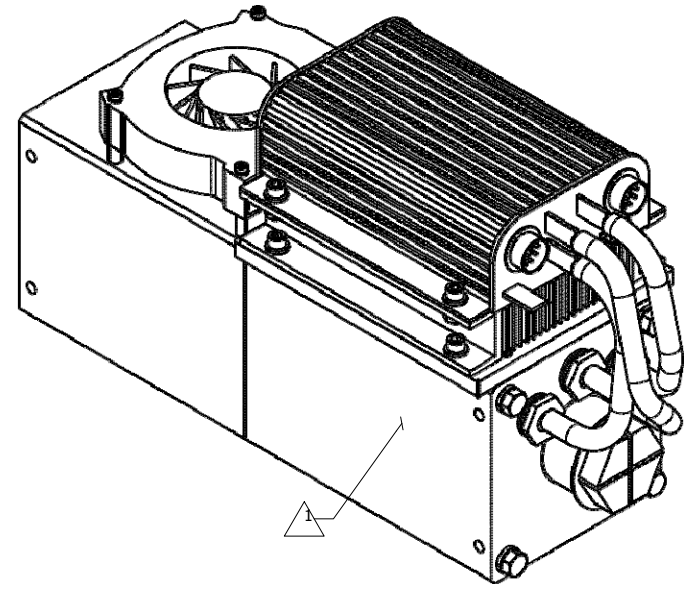
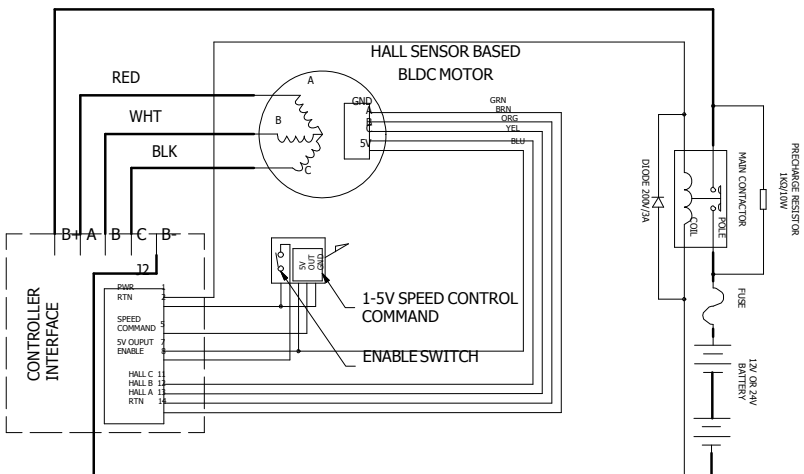
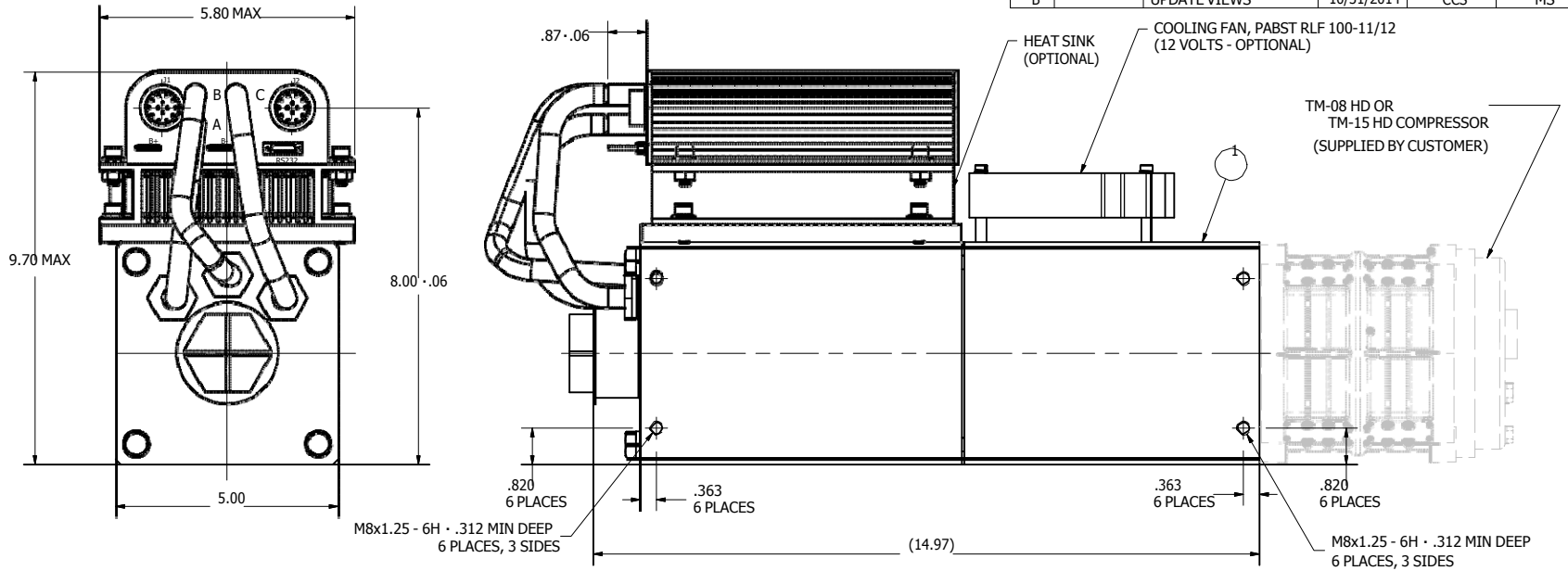




XTREME DC



SYM	ECN	REVISIONS	DATE	DR.	APPD.
A		INITIAL RELEASE	11/26/2013	CCS	MS
B		UPDATE VIEWS	10/31/2014	CCS	MS



NOTES:
 1. ELECTROCHEMICAL ETCH THE FOLLOWING INFORMATION IN APPROX LOCATION AS SHOWN:
 EXTREME DC PART NO. BDC 12/24-150
 - SERIAL NUMBER (YEAR_MONTH_FIVE DIGIT SEQUENCE)

MOTOR-CONTROLLER CHARACTERISTICS (TM-15 HD)
 VOLTAGE = 12 VDC
 MAXIMUM SPEED = 1,500 RPM
 MAXIMUM CONTINUOUS CURRENT = 150 AMPS
 POTENTIAL BTU = 18,000
 VOLTAGE = 24 VDC
 MAXIMUM SPEED = 3,000 RPM
 MAXIMUM CONTINUOUS CURRENT = 150 AMPS
 POTENTIAL BTU = 25,000

MOTOR-CONTROLLER CHARACTERISTICS (TM-08 HD)
 VOLTAGE = 12 VDC
 MAXIMUM SPEED = 1,500 RPM
 MAXIMUM CONTINUOUS CURRENT = 150 AMPS
 POTENTIAL BTU = 8,500
 VOLTAGE = 24 VDC
 MAXIMUM SPEED = 3,000 RPM
 MAXIMUM CONTINUOUS CURRENT = 150 AMPS
 POTENTIAL BTU = 15,000

PARTS LIST		SIGNATURES		DATE	
ITEM	QTY	PART NUMBER	DESCRIPTION		
1	1	4824-800-1	MOTOR CONTROLLER ASSEMBLY		

DIM. ARE IN INCHES		INTERPRET PER-ASME Y14.100 AND ANSI Y14.5 1982	
TOLERANCES		THIRD ANGLE PROJECTION	
X DEC ± .100	XXXX DEC ± .005	CHK - CCS	11/28/2013
XXX DEC ± .010	ANGLES ± 1°	ENR - MS	7/25/2013
PROPRIETARY NOTICE		ACAD FILE: - / -	
ALL TECHNICAL DATA DISCLOSED HEREIN IS THE PROPERTY OF MOTIONTECH, LLC AND IS NOT TO BE USED FOR THE MANUFACTURE, PROCUREMENT OR DISCLOSURE TO OTHERS WITHOUT PERMISSION OF MOTIONTECH, LLC, SIERRA VISTA, ARIZONA.		MACHINED SURFACES 125 MICRONS MAX DEBURRING/BEAK EDGES .005-.015 INTERNAL HOLE .005-.010 DIM. ARE AFTER PLATING	

TITLE		BDC-12/24-150	
EXTREME DC		BDC-12/24-150	
BRUSHLESS DC MOTOR CONTROLLER/COMPRESSOR ASSEMBLY		BDC-12/24-150	
SCALE		SHEET	1 OF 1