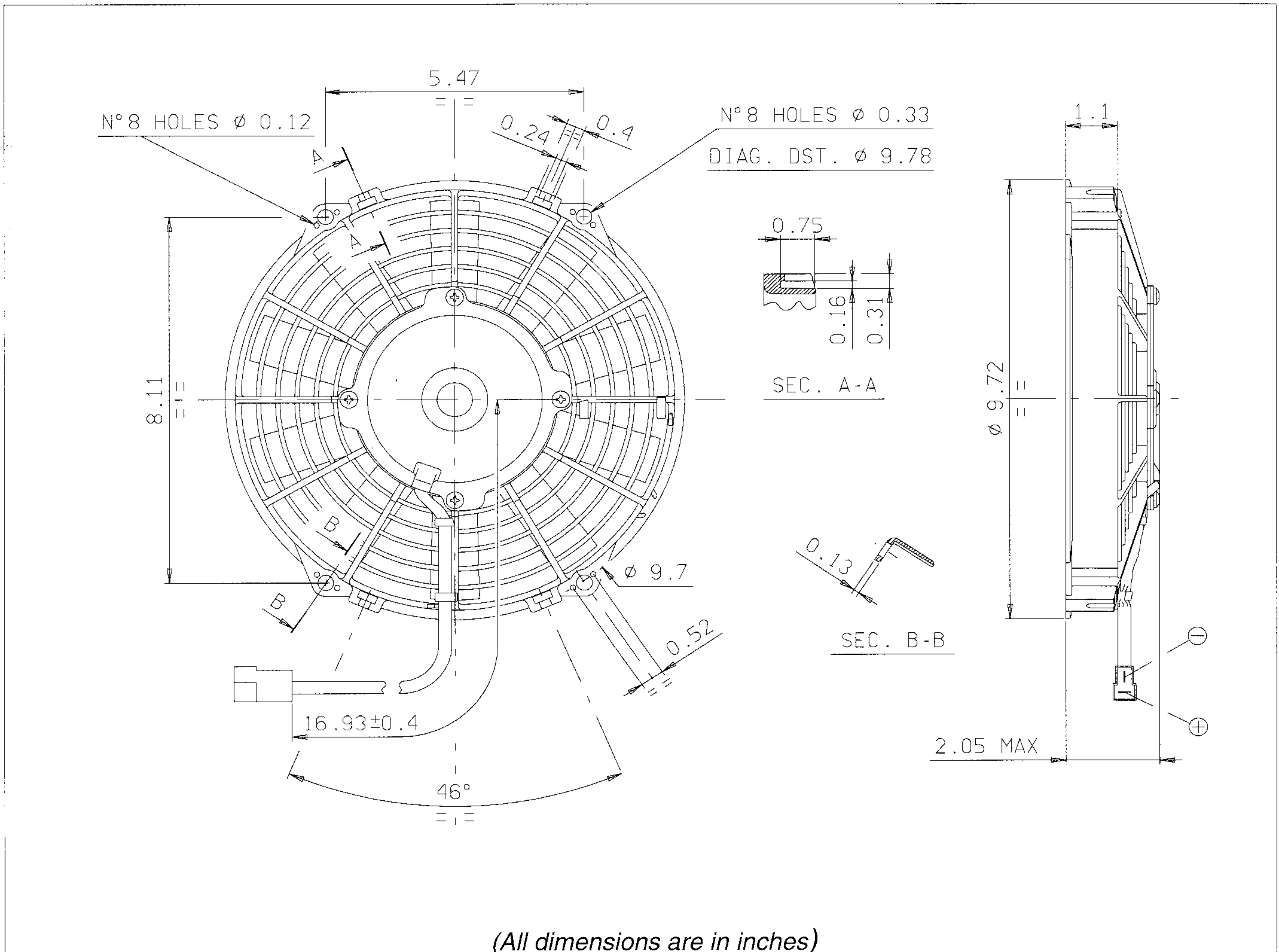


Art. 30100344	Type VA07 - BP7/C - 31A Pull	Fan diameter 9"
-------------------------	--	---------------------------



(All dimensions are in inches)

* Weight 2.2 lbs. approx.

* Closed motor

* Long life

* Available accessories: all the mounting kits.

Test voltage 13 V DC

Static pressure	Airflow	Current input
in. H ₂ O	cfm	A
0	636	3.5
0.1	600	3.6
0.2	552	3.7
0.3	510	3.7
0.4	438	3.7
0.5	360	3.7
0.6	270	3.7
0.7	198	3.7
0.8	120	3.8
1.0	-	3.9

Static pressure: 1 mm H₂O = 0,04 in. H₂O
Airflow: 1 m³/h = 0,59 cfm