

OFF-ROAD

R-8545 Backwall

Air Conditioner with Heat Option

CONSTRUCTION • MINING • AGRICULTURE

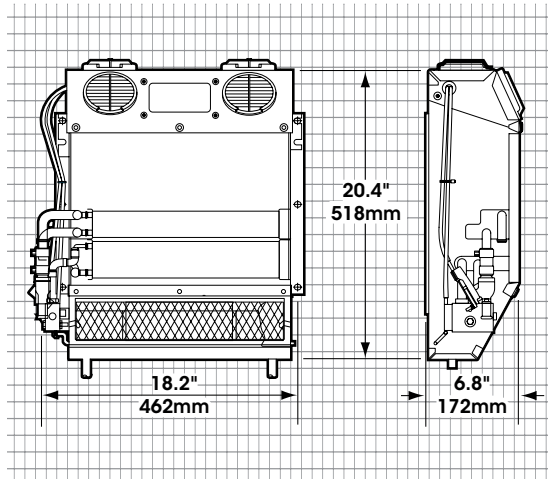
Compact and powerful, the R-8545 produces the highest output of any off-road unit its size. Its performance and durability make the R-8545 the ideal choice for off-highway equipment cabs where space is a premium and reliability is essential. Engineered to filter in-cab air as well as incoming outside air when pressurization is required. Models include A/C only or heater and A/C combination.

HEATER-A/C



R-8545 SPECIFICATIONS

| | |
|---------------------|---|
| BTUs | Heating – 31,460 BTU/Hr @ 100°F (8.4 kW @ 37.8°C) air temperature rise Cooling – 19,800 BTU/Hr with 36°F (5.3 kW with 2.2°C) refrigerant temperature and 80°F (26.7°C) wet bulb entering air |
| AIR FLOW | 294 CFM (450 m ³ /h) |
| WEIGHT | Heater & A/C – 39 lbs. (18 kg) A/C Only – 34 lbs. (15 kg) |
| MOTOR | Totally sealed, 12 or 24 VDC permanent magnet type with long life brushes, and heavy duty pre-lubricated sealed ball bearings |
| CURRENT DRAW | 16.1 amps @ 13.6 VDC (includes 4 amps for A/C clutch), 8 amps @ 27.2 VDC (includes 2 amps for A/C clutch) |
| CONTROLS | Mode selector switch (heat or A/C), three-speed fan switch, fixed setting A/C thermostat, cable controlled water valve |



R-8545 SYSTEM ORDERING GUIDE

| | | R-134a | NOTES |
|---|--|---|--|
| UNITS | R-8545-17P R-8545-17-24P R-8545-16P R-8545-16-24P | 12 VDC – A/C Only 24 VDC – A/C Only 12 VDC – Heater-A/C 24 VDC – Heater-A/C | |
| CONDENSER | R-9720-12P R-9720-12-24P 77R0650 | 12V, Remote Mount 4V, Remote Mount Radiator Mount | See page 441 See page 441 See page 448 |
| GENERAL PURPOSE INSTALLATION KIT | 78R1705 78R1070 78R1077 78R1027 78R1025 78R0100 | Remote Mount Rooftop condenser Rooftop condenser Front mount condenser Front mount condenser Heater Hose | ATCO version ATCO version EZ Clip version EZ Clip version ATCO version 5/8" diameter, 50' |
| OPTIONS | 3" Air Outlet Adapter for Pressurization Remote Filters Pressurizers Universal Duct Kit Plenum | RD-3-5448-0P See Filters & Pressurizers section See Filters & Pressurizers section 78R2100 RD-3-15122-0P | |
| COMPRESSOR | Requires compressor and mounting kit | | See 75 Series Compressor section on page 329 |