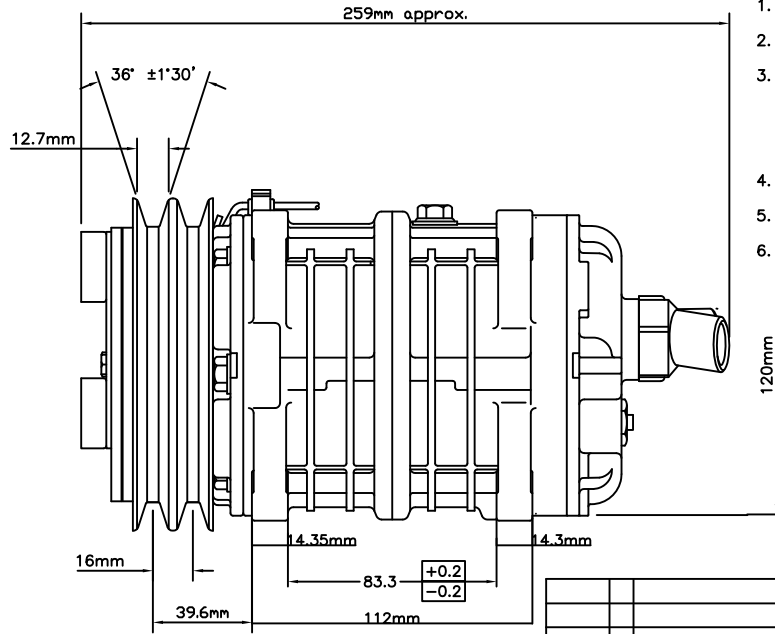
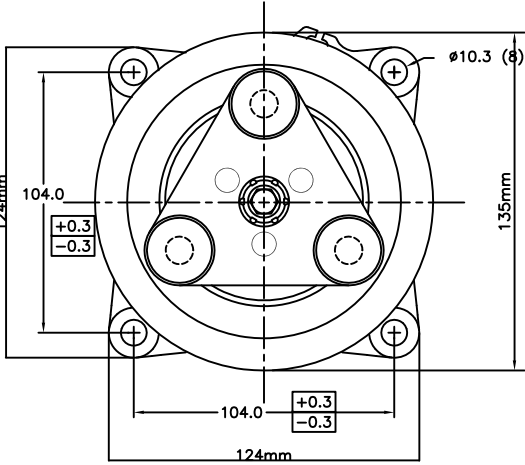
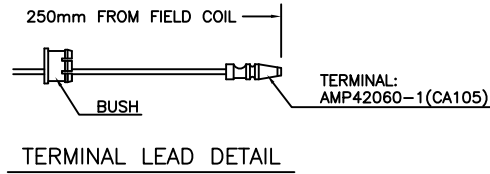
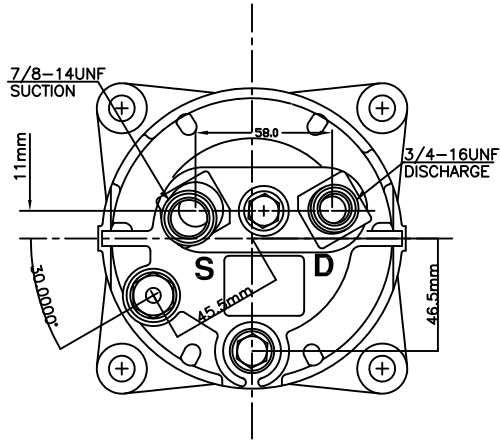


NOTE: THIS PRODUCT TO BE FREE FROM ALL MATERIAL AND PRODUCTS CONTAINING LEAD AND HEXAVALENT CHROME IN ACCORDANCE WITH EU REGULATIONS.



COMPRESSOR SPECS

- MODEL : TM-16HS
- NUMBER OF CYLINDERS - BORE OF CYLINDER X STROKE : 6 - ø36 X 26.7
- DISPLACEMENT : 162.9cm<sup>3</sup>/rev
- PERMISSIBLE SPEED : 700~6000r/min
- DIRECTION OF ROTATION : CLOCKWISE OR COUNTERCLOCKWISE (NOTE LEAF SPRING CLUTCH CW ONLY)
- LEAKAGE TEST
 

		HIGH SIDE	LOW SIDE
LEAKAGE TEST	MPa (gage) {kgf/cm <sup>2</sup> G}	2.9 {30}	1.5 {15}
PRESSURE TEST	MPa (gage) {kgf/cm <sup>2</sup> G}	4.4 {45}	2.2 {22.5}
- REFRIGERANT : HFC-134a
- LUBRICANT : ZXL 100PG 180<sup>±20</sup>cm<sup>3</sup>
- MASS : 4.7kg

CLUTCH SPEC:

- VOLTAGE: DC 12V
- BELT: 2A TYPE
- STATIC TORQUE
  - INITIAL: 35 N m (3.5 kgfm)
  - AFTER BURNISHING: 49 N m (5 kgfm)
- POWER CONSUMPTION: MAX. 45W (at 25°C)
- ROTATION: CLOCKWISE & COUNTERCLOCKWISE
- WEIGHT: 2.25 kg

REV	SYN	DESCRIPTION	DATE

FORMER PART NO	INTCHG	ITEM	QTY	PART NO	CUSTOMER NO	REMARKS
DO NOT SCALE DWG						
COMPRESSOR ASSY						CUSTOMER SHIT
103-56030						
VALEO COMPRESSOR						

SCALE	NONE	SURFACE FINISH	-
MAT'L	-	WEIGHT	-
APPROVED BY	MAT'L ENGINEER	CHECKED BY	DRAWN BY
DATE	DATE	DATE	DATE

PART NO	LEVEL	DESCRIPTION	QTY