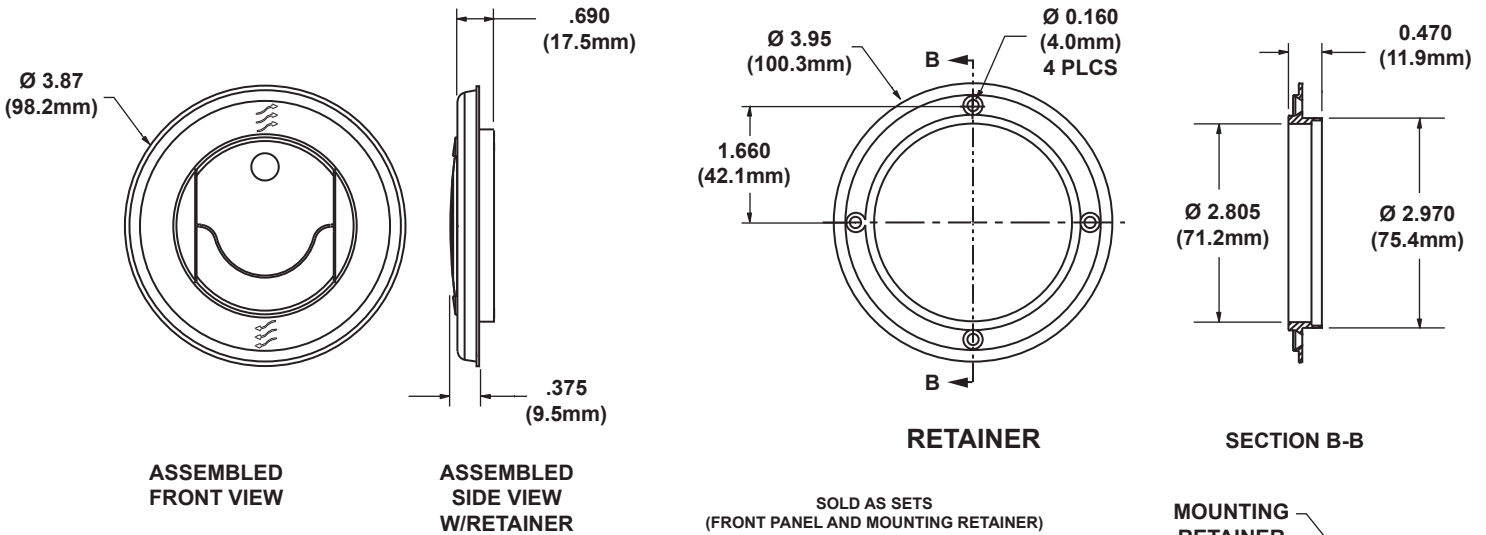


LOUVERS

" 4" Sonora" SERIES LOW PROFILE

MATERIAL - BLACK ABS



ASSEMBLED FRONT VIEW

ASSEMBLED SIDE VIEW W/RETAINER

RETAINER

SECTION B-B

P.N. 06-2003
4" SONORA LOUVER
W/ MOUNTING RETAINER

SOLD AS SETS
(FRONT PANEL AND MOUNTING RETAINER)

MOUNTING RETAINER

360 DEG. ROTATION

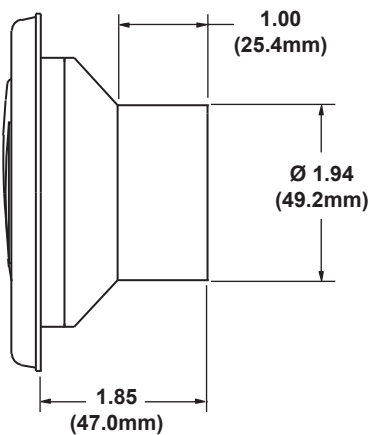
LOUVER ASSEMBLY

IDEAL FOR :

- SLIM-LINE DUCTING
- SHALLOW AIR PLENUMS
- THICK FACING MATERIAL APPLICATIONS
- INNOVATIVE 3" HOSE ADAPTER FOR UNLIMITED LENGTHS AT 1" INCREMENTS

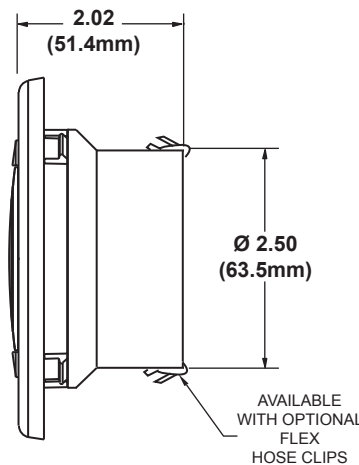
SONORA W/ HOSE ADAPTERS

MATERIAL - BLACK ABS / OPTIONAL FLEX HOSE CLIPS



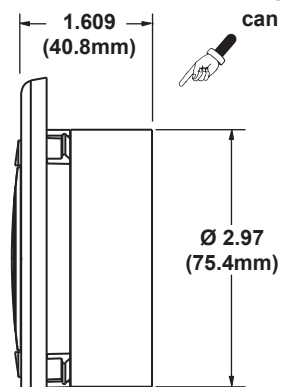
P.N. 06-2003-1

4" SONORA LOUVER
W/ 2" HOSE ADAPTER



P.N. 06-2003-2

4" SONORA LOUVER
W/ 2-1/2" HOSE ADAPTER



P.N. 06-2003-3

4" SONORA LOUVER
W/ 3" HOSE ADAPTER