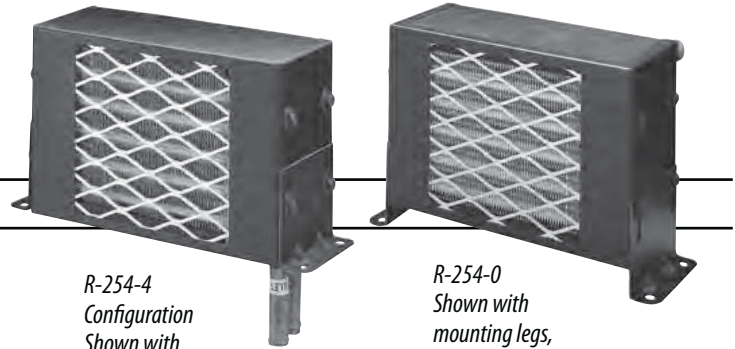


R-254 & R-255

Auxiliary Heaters

RV • TRUCKS

Tried and true, our R-254 (single-fan) and R-255 (double-fan) auxiliary heaters are among the most versatile and maintenance-free heaters you'll find. Their round-tube-and-fin design lets you mount these heaters in any position using our multi-position leg brackets or flush-mount frame, and their compact size, simple plumbing, and high output make them ideal for any application.



R-254-4
Configuration
Shown with
mounting legs, floor
exit

R-254-0
Shown with
mounting legs,
rear exit

SPECIFICATIONS

	R-254	R-255
BTUS	16,000 BTU/Hr @ 150°F (4.69kw @ 65.6°C) air temp. rise	30,000 BTU/Hr @ 100°F (8.79kw @ 37.8°C) air temp. rise
AIR FLOW	150 CFM (255 m ³ /h)	280 CFM (476 m ³ /h)
WEIGHT	7 lbs. (3 kg)	12 lbs. (5.5 kg)
CURRENT	3.3 amps @ 13.6 VDC	6.6 amps @ 13.6 VDC
Draw	1.7 amps @ 27.2 VDC	3.3 amps @ 27.2 VDC
MODELS	Single Fan 5/8" fittings, rear exit: R-254-0P (12 VDC) R-254-0-24P (24 VDC) 3/4" fittings, rear exit: R-254-1P (12 VDC) FLOOR EXIT 5/8" fittings: R-254-4P (12 VDC)	Double Fan 5/8" fittings, rear exit: R-255-10P (12 VDC) R-255-10-24P (24 VDC) FLOOR EXIT 5/8" fittings: R-255-12P (12 VDC)

OPTIONS:

Heater Hose
78R0100

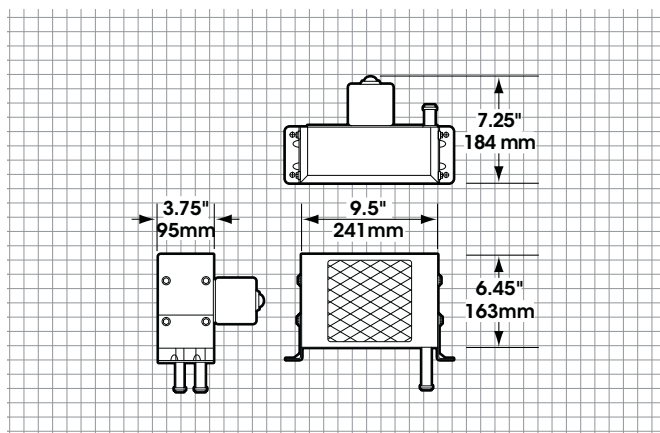
Toggle Switch
71R0100

Defrost Hose Outlet 3 1/2"
RD-1-0639-0P

5/8" to 3/4" Adapter
70R7110

Control Panel
71R5819
Heater control -
Two-speed motor switch with manual water valve control

Diagrams for R-254



Diagrams for R-255

