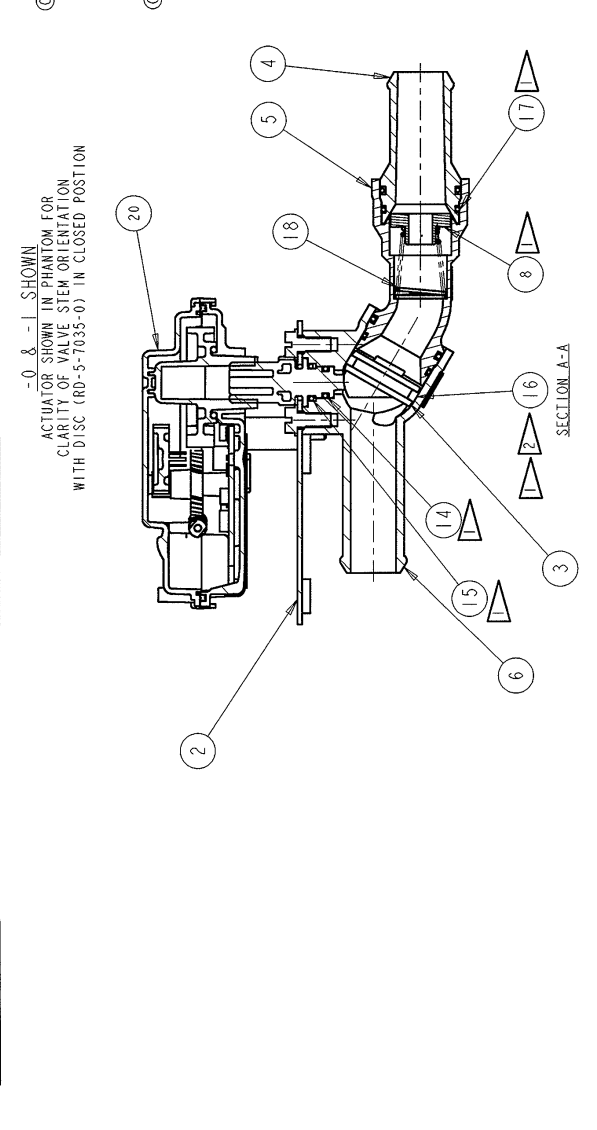
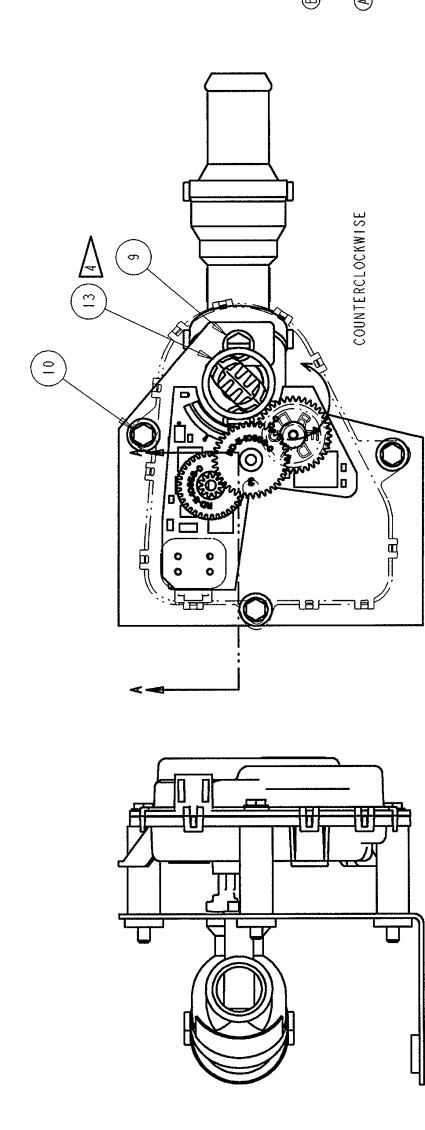
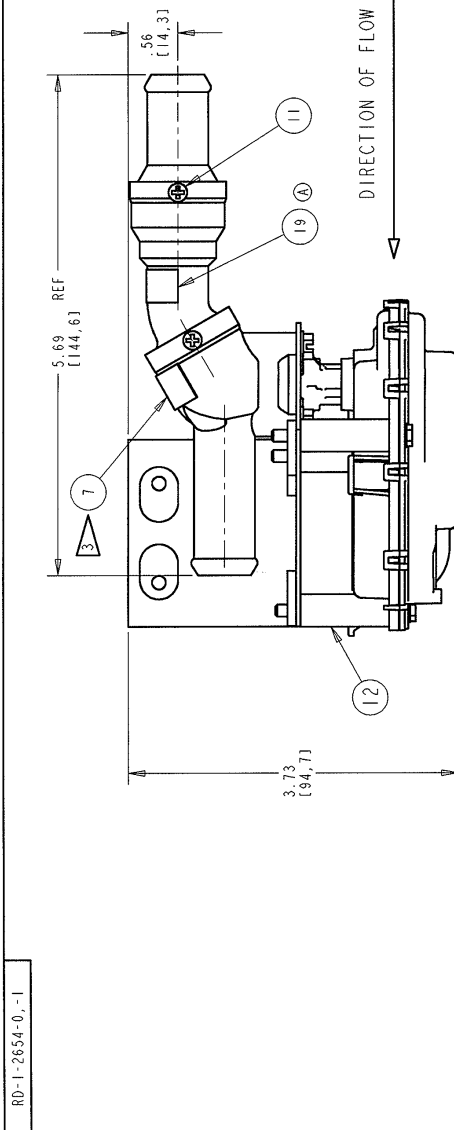


LTR	DATE	BY	CHK'D	PROV'D	REVISION
				APPR	OUT
A	6-30-05	MM	JAY	TLO	ADDED RD-5-3880-0; (ER 31985)
B	3-30-06	RCM	REC	TLO	ADDED -1 & RD-5-11862-0 (ER#32203)
C	5-26-06	LAM	TLO	TLO	ADDED RD-5-6016-0-.156; ØTY OF RD-5-6403-0 WAS (3); (EN 332711)
D	12-11-06	AAK	[Signature]	[Signature]	X-2cd -0 REPLACED BY -1; (ER 33355)



- 4 VALVE SHOWN IN CLOSED POSITION. ROTATES COUNTERCLOCKWISE TO OPEN.
 - 3 LABEL TO INCLUDE: RED DOT PART No., LATEST RED DOT REVISION LETTER AND DATE OF MANUFACTURE
 - 2 RD-5-7044-4114 QUAD RING MUST BE INSTALLED FLAT ON RD-5-7035-0 DISC. BOTH BUMPS OF QUAD RING MUST BE IN LINE AND PARALLEL TO CENTERLINE OF DISC AFTER INSTALLATION
 - 1 LUBE "O" RINGS AND QUAD RING USING RD-5-5145-0. ALSO, APPLY A THIN COATING OF LUBRICANT TO INSIDE OF HOUSING IN THE DISC ACTUATION AREA
- 3) ASSEMBLE & LEAK TEST VALVE PER ES-415
 2) AMBIENT OPERATION TEMPERATURE: -50° F - +250° F
 1) OPERATING FLUID PRESSURE MAX.: 55 P.S.I.

ITEM	DESCRIPTION	PART NO.	FINISH
1	ACTUATOR ASSEMBLY - PWM INPUT	RD-5-11862-0	
2	LUBRICANT - HIGH VISCOSITY SILICONE	RD-5-5145-0	
3	LABEL - INLET, .75 TAPE	RD-5-3880-0	
4	SPRING, RELIEF VALVE	RD-5-6734-0	
5	O-RING	RD-5-4017-018	
6	QUAD RING	RD-5-7044-4114	
7	O-RING	RD-5-6403-0	
8	O-RING	RD-5-4017-010	
9	STEM WATER VALVE	RD-5-10916-0	
10	SPACER - PLASTIC, .375 OD X .171 ID X 1.00 LONG	RD-5-8589-0	
11	SCREW-PAN HD PHILLIPS, 4-40 UNC-2A	RD-5-6016-0-.156	
12	SCREW - 6/32 HEX WASHER HD	RD-5-4698-0-1.500	
13	SCREW - #8 PLASTIC HEX WMSR HD	RD-5-5280-0-.375	
14	PISTON - RESTRICTOR, WATER VALVE	RD-5-7600-0	
15	LABEL - PART NO.	RD-5-5028-0	
16	HOUSING - WATER VALVE	RD-5-7594-0	
17	FITTING - RELIEF, WATER VALVE	RD-5-7597-0	
18	FITTING - ADAPTOR, WATER VALVE 5/8 NIPPLE	RD-5-5290-0	
19	DISC, QUAD RING - WTR. VLV.	RD-5-7035-0	
20	ACTUATOR BRACKET WATER VALVE	RD-3-11959-0	
-1	ACTUATOR - SEALED 12/24 VDC	RD-5-11470-0	

NOTE

THIS PRINT IS PROTECTIVE INFORMATION LOWER SUBJECT TO RETURN FROM DEWID AND IS NOT TO BE USED DIRECTLY OR INDIRECTLY IN ANY WAY DETRIMENTAL TO RED DOT CORPORATION

RED DOT CORPORATION
 495 Andover Park East
 Seattle, WA 98188