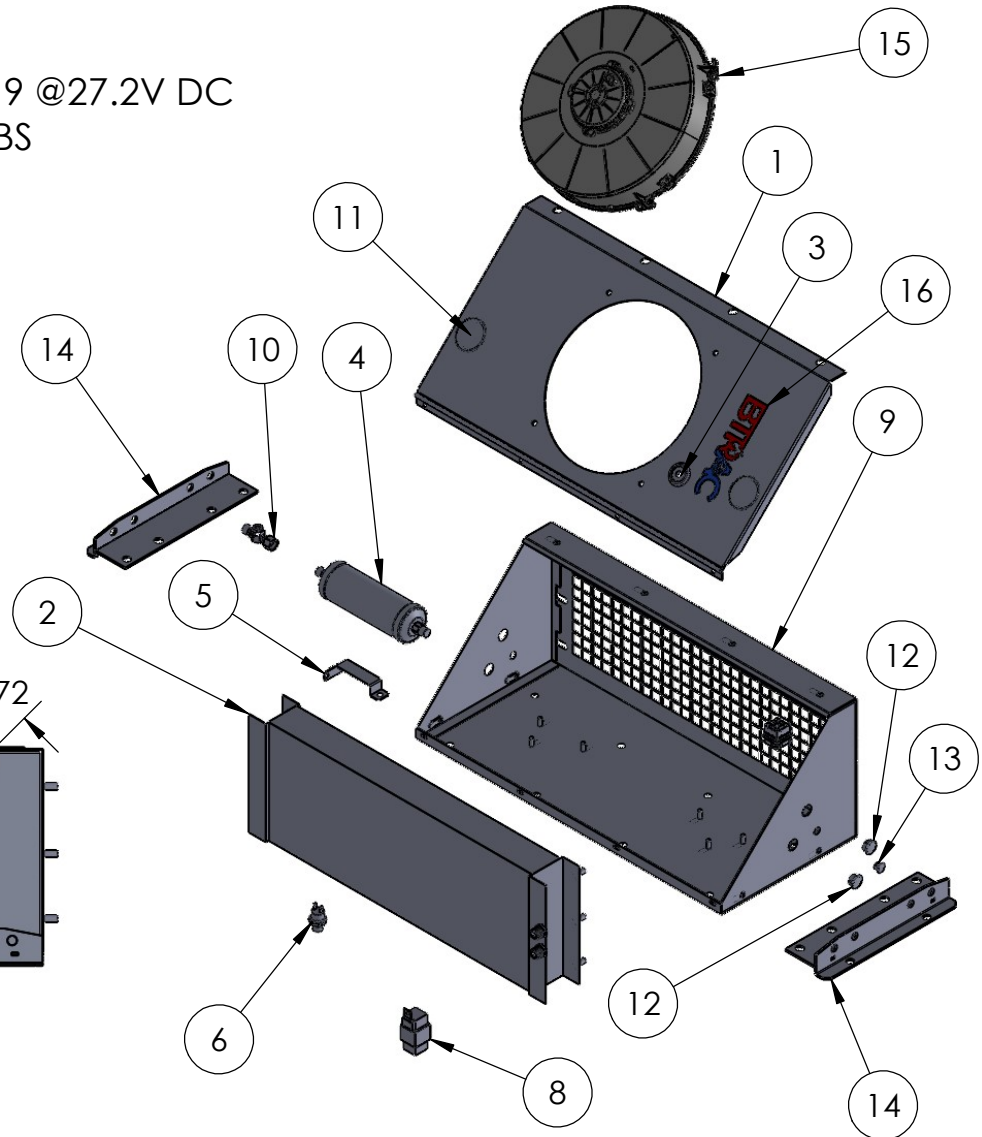
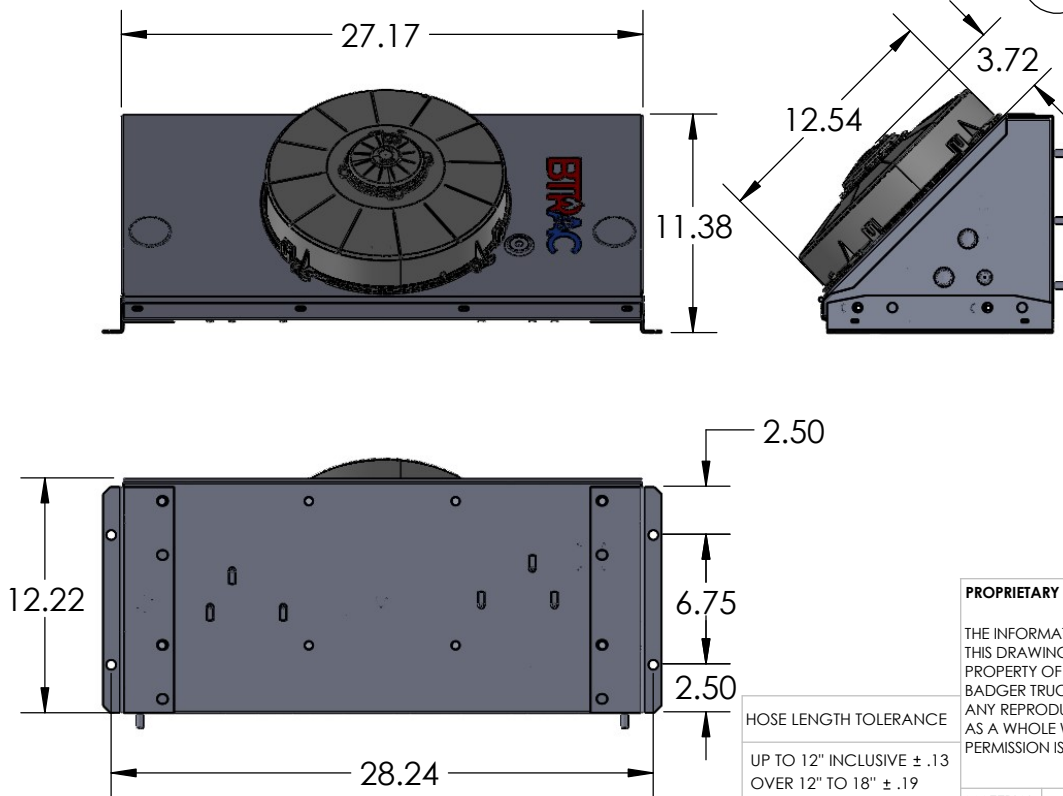


ITEM NO.	PART NUMBER	DESCRIPTION	QTY.
1	BA-592-081-6	COVER	1
2	BT7-0516	CONDENSER COIL	1
3	BT0-0348	GROMMET	1
4	74R0460	DRIER	1
5	BT4-0583	DRIER BRACKET	1
6	71R7075	BINARY	1
8	71R1904	RELAY	1
9	BA-592-081-1	HOUSING	1
10	BT0-0368	SIGHT GLASS	1
11	BT0-0648	2" PLUG	2
12	24409	3/4" PLUG	2
13	24405	1/2" PLUG	1
14	BA-592-081-7	MOUNT BRACKET	2
15	BT3-0169-4	FAN, 12" HP PULLER 24V	1
16	BT9-0045	BTRAC LOGO DECAL 7" X 1.75"	1

BTU 39,000
 CFM 1300
 AMP DRAW 9 @27.2V DC
 WEIGHT 48LBS

NOT SHOWN: B-592-8HA HOSE/B-592-6HB HOSE



PROPRIETARY AND CONFIDENTIAL

THE INFORMATION CONTAINED IN THIS DRAWING IS THE SOLE PROPERTY OF BADGER TRUCK REFRIGERATION. ANY REPRODUCTION IN PART OR AS A WHOLE WITHOUT WRITTEN PERMISSION IS PROHIBITED.

MATERIAL FINISH WHITE

DO NOT SCALE DRAWING



UNLESS OTHERWISE SPECIFIED: DIMENSIONS ARE IN INCHES TOLERANCES: ANGULAR: ±1 TWO PLACE DECIMAL ±.03 THREE PLACE DECIMAL ±.010

NAME DATE

CHECKED

BADGER TRUCK REFRIGERATION

6302 TEXACO DRIVE EAU CLAIRE WI 54703
 (715) 874-6811

TITLE: PC RT 24V NC

SIZE DWG. NO. REV
A BU-1013-0-24 A

SCALE: 1:8 SHEET 1 OF 1