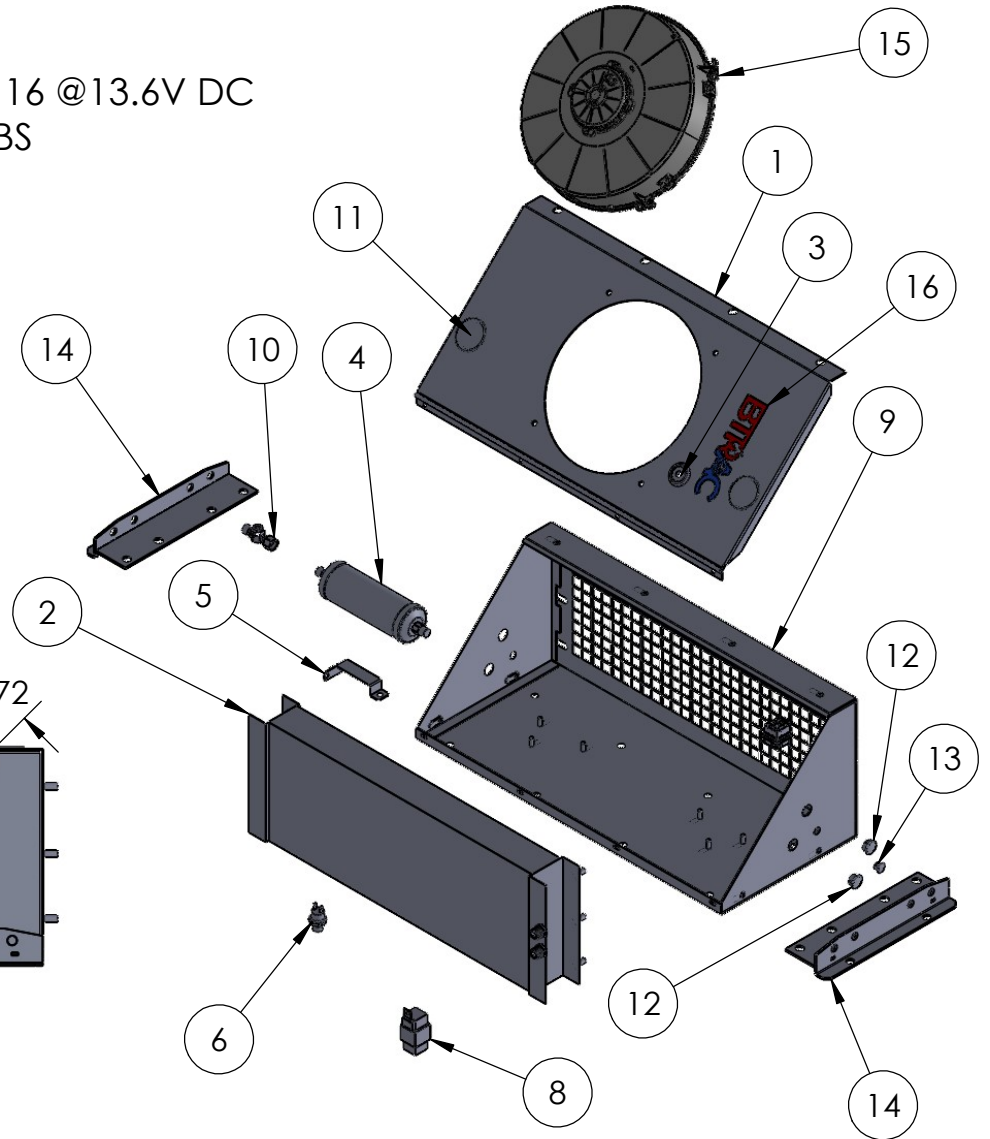
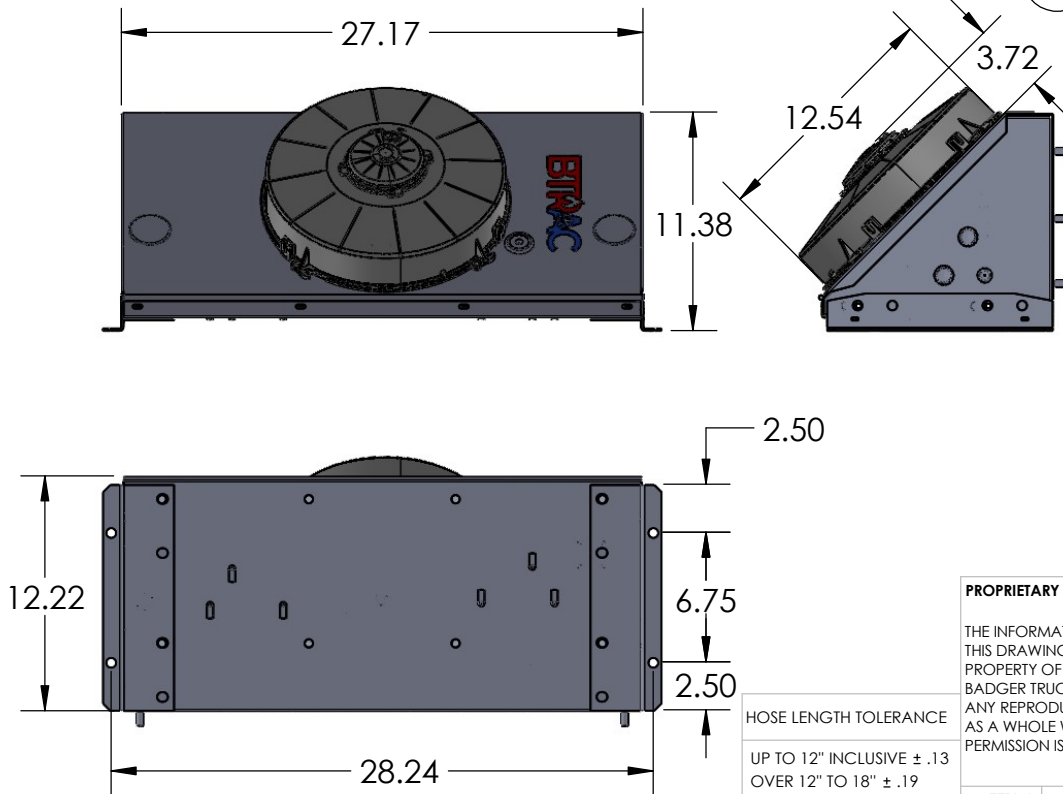


ITEM NO.	PART NUMBER	DESCRIPTION	QTY.
1	BA-592-081-6	COVER	1
2	BT7-0516	CONDENSER COIL	1
3	BT0-0348	GROMMET	1
4	74R0460	DRIER	1
5	BT4-0583	DRIER BRACKET	1
6	71R7075	BINARY	1
8	71R1902	RELAY	1
9	BA-592-081-1	HOUSING	1
10	BT0-0368	SIGHT GLASS	1
11	BT0-0648	2" PLUG	2
12	24409	3/4" PLUG	2
13	24405	1/2" PLUG	1
14	BA-592-081-7	MOUNT BRACKET	2
15	BT3-0169	FAN, 12" HP/HP PULLER 12V	1
16	BT9-0045	BTRAC LOGO DECAL 7" X 1.75"	1

BTU 39,000  
 CFM 1300  
 AMP DRAW 16 @13.6V DC  
 WEIGHT 48LBS

NOT SHOWN: B-592-8HA HOSE/B-592-6HB HOSE



PROPRIETARY AND CONFIDENTIAL

THE INFORMATION CONTAINED IN THIS DRAWING IS THE SOLE PROPERTY OF BADGER TRUCK REFRIGERATION. ANY REPRODUCTION IN PART OR AS A WHOLE WITHOUT WRITTEN PERMISSION IS PROHIBITED.

MATERIAL FINISH WHITE

DO NOT SCALE DRAWING



UNLESS OTHERWISE SPECIFIED: DIMENSIONS ARE IN INCHES TOLERANCES: ANGULAR: ±1 TWO PLACE DECIMAL ±.03 THREE PLACE DECIMAL ±.010

NAME DATE  
 DRAWN CJ 11/29/23

CHECKED

**BADGER TRUCK REFRIGERATION**  
 6302 TEXACO DRIVE EAU CLAIRE WI 54703  
 (715) 874-6811

TITLE: **POWER CONDENSER**

SIZE DWG. NO. REV  
**A** BU-1013-0-12 A

SCALE: 1:8 SHEET 1 OF 1

HOSE LENGTH TOLERANCE

UP TO 12" INCLUSIVE ± .13  
 OVER 12" TO 18" ± .19  
 OVER 18" TO 36" ± .25  
 OVER 36" ± 1% NEAREST .12